

Alarm module for Micaflex PD and FD ver 3.x

MFM-L1

version 3.x

mi-278gb / 2008-12-02

Application

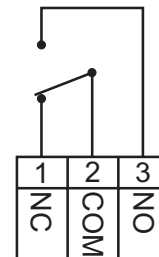
MFM-L1 is an optional plug-in module for an alarm function with a potential-free changing contact to be installed in Micaflex PD and FD ver. 3.

Mounting

- Remove the cover. Unscrew the bottom right screw on the main PCB (printed circuit board).
- Fold the flat ribbon cable on the alarm module behind the PCB and back to the front through the slot to the left of the terminal block.
- Fasten the module with the screw.
- Connect the flat ribbon cable to header "K3" on the main PCB as shown.

Alarm function

The unit indicates an alarm state by a flashing display if this function is activated together with the relay output changing over. The figure shows the position in an unpowered state, i.e. alarm state.



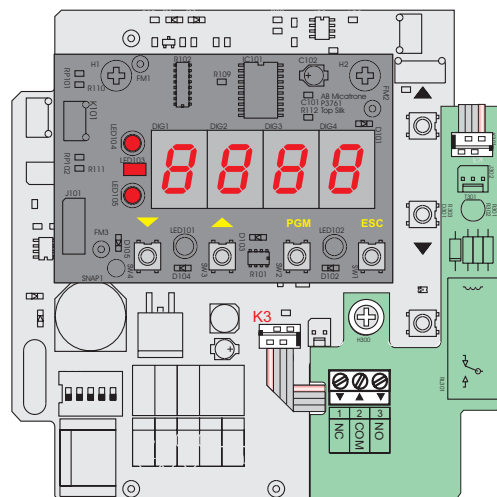
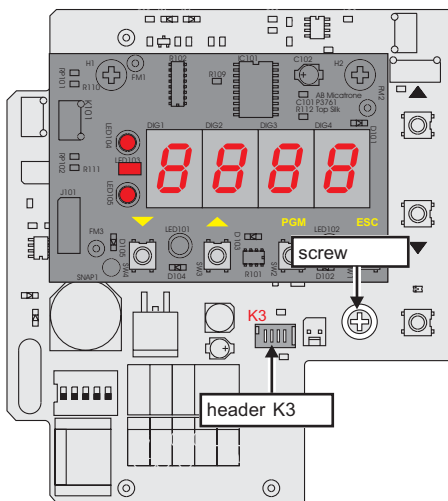
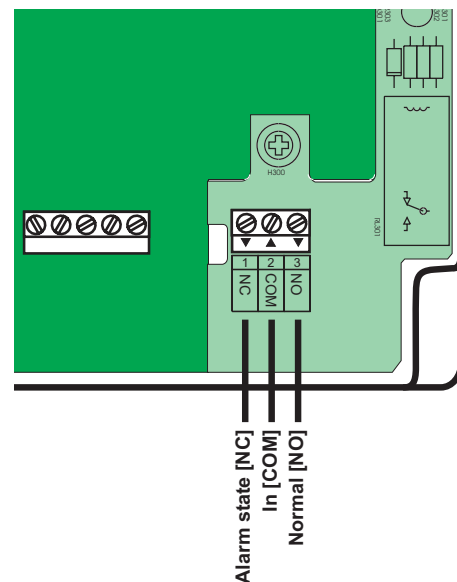
For programming instructions and description of all alarm functions, see product operating and installation manual for each model.

Technical data

Max load relay output: 48 Volt / 5 A..

Connection Alarm module

(Note. Transformer can not be mounted together with alarm module)



AB Micatrone
Åldermansvägen 3
SE-171 48 SOLNA
SWEDEN

Telephone: +46 8-470 25 00
Fax: +46 8-470 25 99
Internet: www.micatrone.se
E-mail: info@micatrone.se