

Stainless steel static pressure reference probe for indoor use and recessed mounting in wall

VM-2/SS

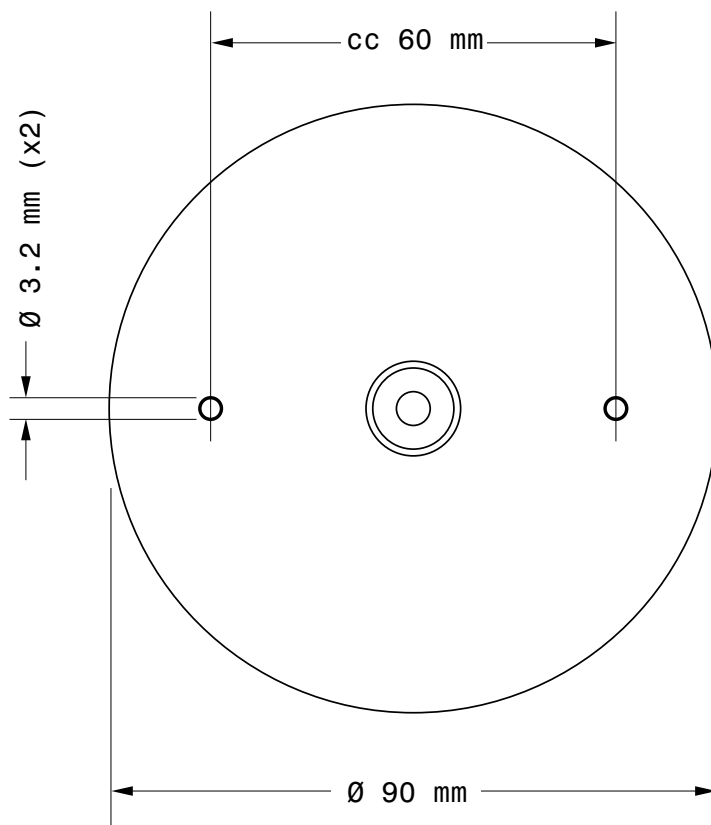
Mi-253gb / 2005-11-28

APPLICATION:

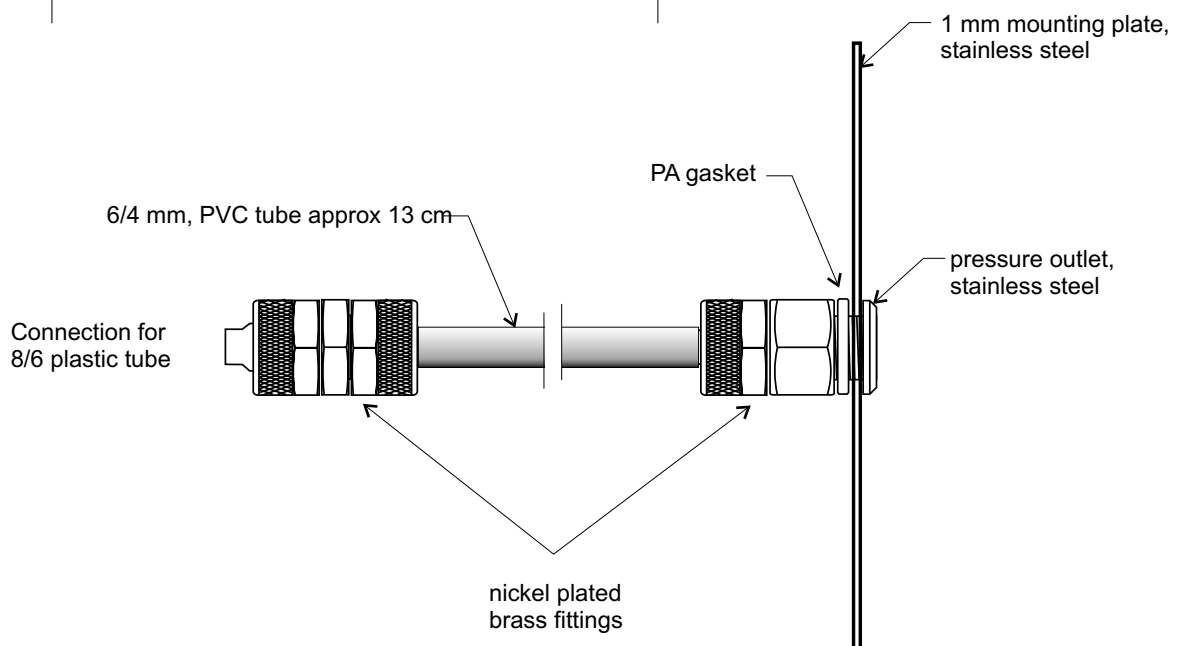
The measuring probe is designed to pick up static pressure in rooms, clean rooms, laboratories etc.

DESIGN:

Cover plate in stainless steel with pressure reference inlet. Flexible connection to 8/6 plastic tube for easy installation.



© AB MICATRONE 2005-11-28 [H:\Apps \ Typeset \ Mima \ Mi-253gb_051128.vp]



AB MICATRONE
Åldermansvägen 3
SE-171 48 SOLNA
SWEDEN

Telefon: +46 8-470 25 00
Fax: +46 8-470 25 99
Internet: www.micatrone.se
E-mail: info@micatrone.se