

Instruction and guide for installing block valve 2-TK

Doc no: mi-248gb/2010-07-19
Replaces:

2-TK

APPLICATION:

The 2-TK is designed for use together with Micatrone's MicaFlex range. The block valve has three settings – Operation, Test and Calibration/Zeraset.

In the Operation position the system pressure is connected to the sensor and the control measurement outlets are closed.

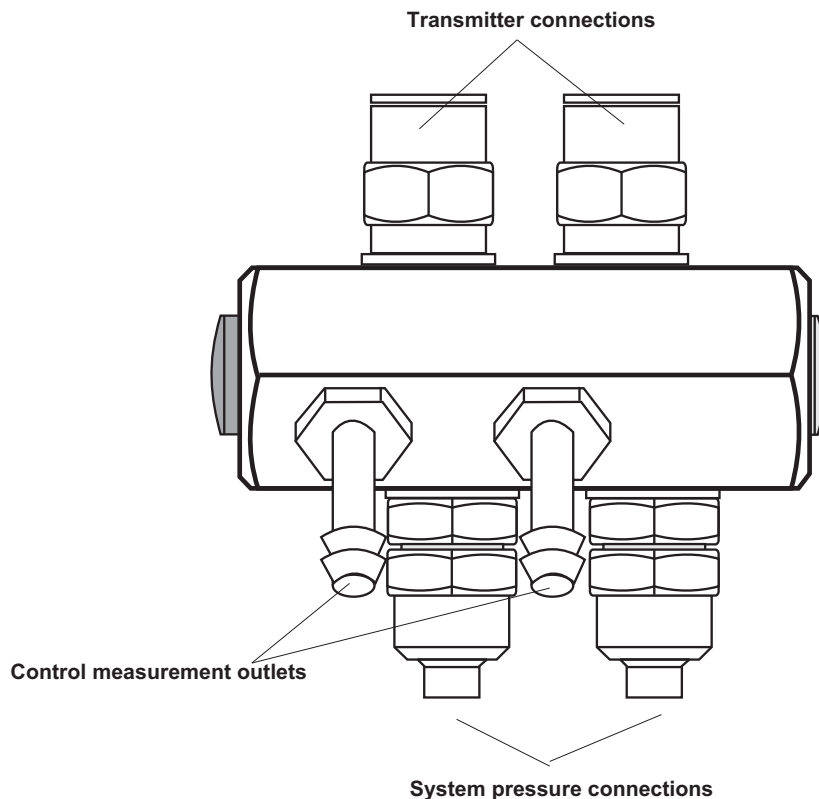
In the Test position the system pressure is connected to the sensor and to the control measurement outlets. This function is used when control measurement is performed during normal operation.

In the Calibration/Zeraset position the system pressure is turned off and the sensor is connected to the control measurement outlets. This function is used when zero setting the pressure sensor and

when connecting an external pressure source and reference gauge when calibrating the pressure sensor.

The block valve is fitted with 2+2 connections for 8/6 plastic tube to the system pressure/transmitter and two $\varnothing 7$ mm hose nipples for control measurement outlets .

The block valve may be installed with a mounting kit, such as VR-DR, which contain all the parts required for connecting the measurement pressure from a duct to the block valve.



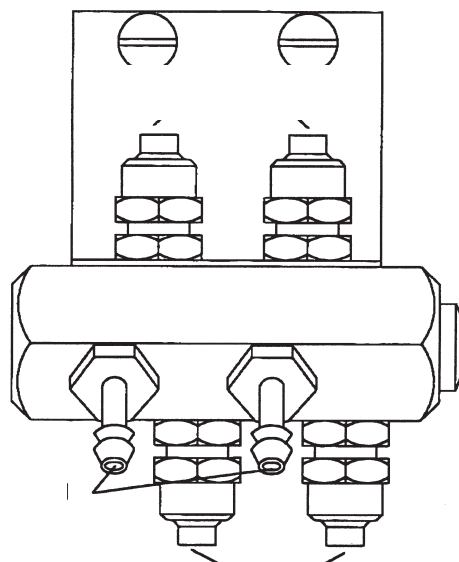
INSTALLATION:

Mount the valve approx. 10cm below the transmitter or controller. Drill two \varnothing 4mm holes for the wall bracket and use the attached screws to mount the block valve.

When measuring positive pressure inside the duct with higher temperature than the surroundings, a risk for condensation in the pressure tube can occur. This situation can be avoided if the tube is placed with a drop against the pressure outlet or by using a water trap, Micatrone type VM-5 at the 'lowest' position of the tube.

Connect transmitter tubes to the 'upper' connections and system pressure to the 'lower' connections.

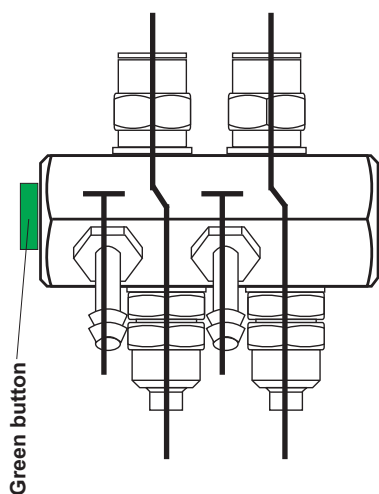
Mount the self-adhesive label next to the block-valve.



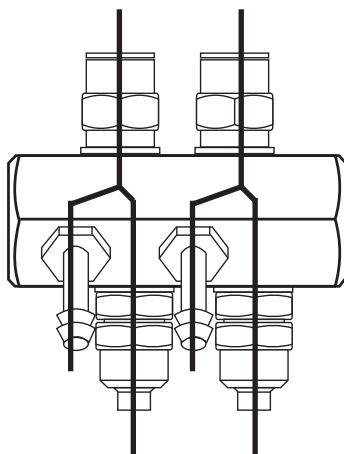
SETTINGS

- OPERATION:** Press the Red button so that the Green button is visible.
TEST: Middle position, both buttons are pressed in an equal amount.
CALIBRATION: Press the Green button so that the Red button is visible.

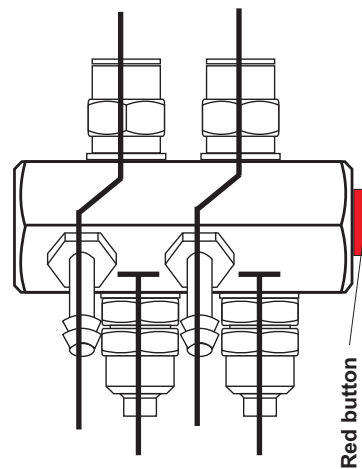
OPERATION



TEST



CALIBRATION



AB Micatrone
Åldermansvägen 3
SE-171 48 SOLNA SWEDEN

Telephone: +46 8-470 25 00
Fax: +46 8-470 25 99
Internet: www.micatrone.se