

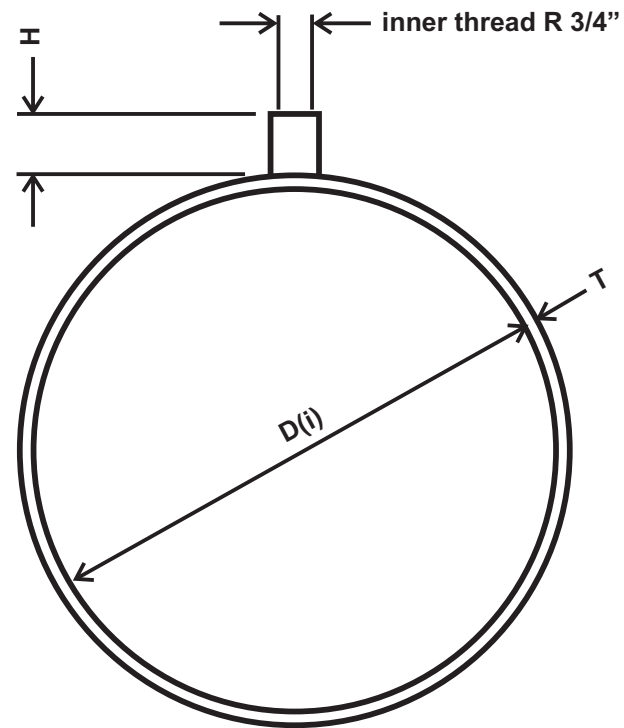
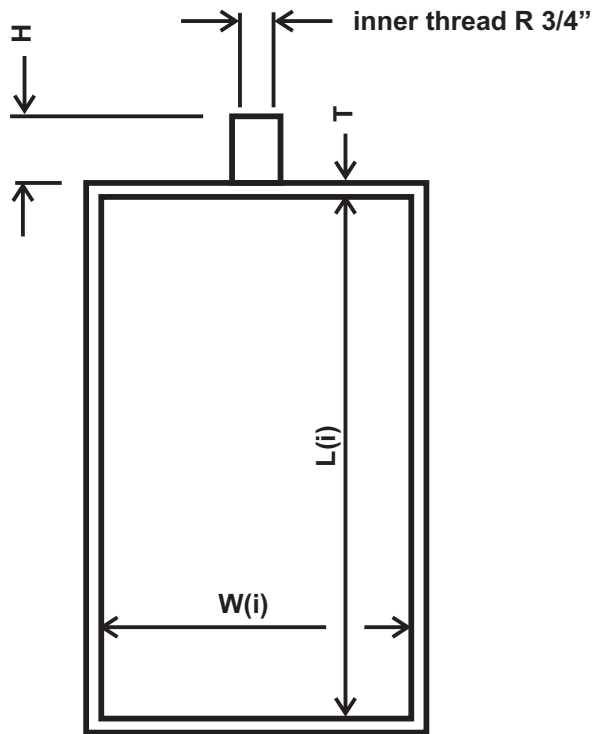
Customer :

Marking :

- Pressure connections :
- Swagelock fittings 6 mm (optional)
  - Nickel plated brass fittings 6 mm (optional)
  - HT plastic tube fittings 8/6 (standard)
  - Other:

Customer order no:

Micatrone order no:



# Micatrone®

MFS-SS CUSTOMER ORDERING SPECIFICATION

© Micatrone # M-3511\_061024

W(i) = \_\_\_\_\_ mm

T = \_\_\_\_\_ mm

L(i) = \_\_\_\_\_ mm

H = \_\_\_\_\_ mm

D(i) = \_\_\_\_\_ mm