

## Static pressure reference probe for outdoor use

Data sheet: Md-1265gb/2006-04-04  
Replaces: rev 020408

### VM-6



- Outdoor measuring probe for static pressure measurement
- Not influenced by wind direction
- For wind velocity up to 35 m/s
- Not influenced by rain or snow
- Maintenance free
- Manufactured in Stainless steel and brass
- No moving parts

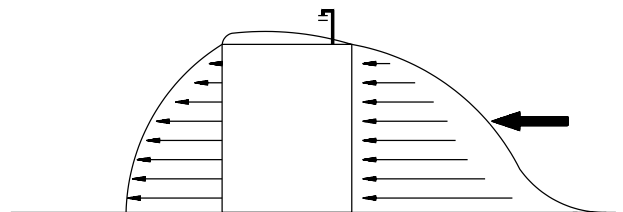
### FUNCTION

Micatrone VM-6 is used to measure the static pressure outside a building.

In certain types of buildings, i.e. Shopping centres, warehouses and various Industrial plants, it is very difficult to find a suitable reference pressure inside the building. In this case the atmospheric pressure can be used as a reference. For the reference pressure to be stable the air-probe must be insensitive to wind influence and located so as any static pressure interference around the building will not influence the measurement. The probe should therefore be placed 4 to 5 metres above the roof line.

The figure below indicates the approximate influence of the static pressure surrounding a building in different wind velocities.

Velocity	Shelter side	Wind side
5 m/s	-5Pa	+10 Pa
15 m/s	-30 Pa	+100 Pa
25 m/s	-125 Pa	+300 Pa



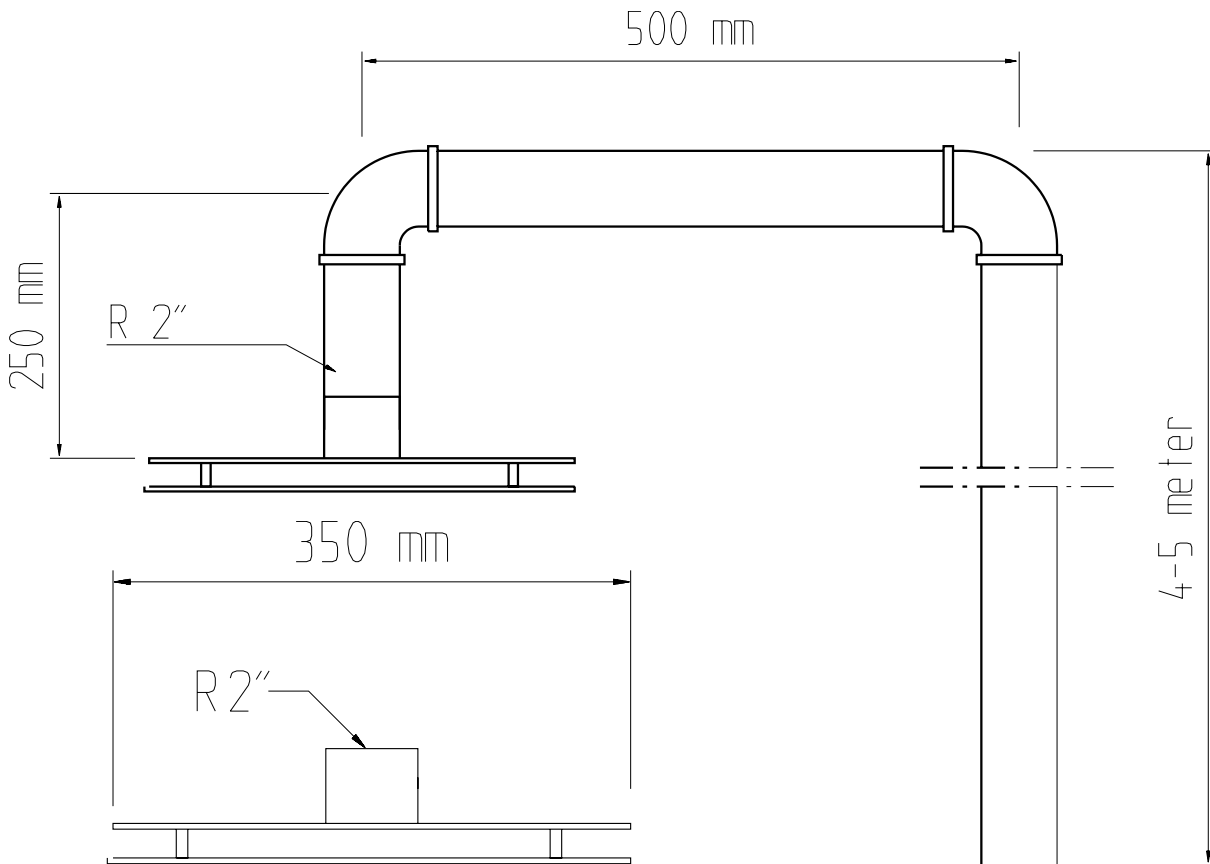
### TECHNIQUE AND DESIGN

The VM-6 consists of two circular steel plates in which holes are drilled around the edge. The two parallel plate construction makes the air flow to stream between the plates in a horizontal way. The approach angle can deviate up to 60° to the horizontal without influencing the result of the measurement.

To the top plate a R 2" pipe measuring connector is mounted for attaching the probe to a steel pipe with an external R 2" pipe thread. In the same connector it is also possible to make an connection with 8/6 mm plastic tube.

## MOUNTING

VM-6 must be mounted between 4 to 5 metres above the roof line. See figure below. Mechanically attached to a steel pipe with an R 2" external pipe thread.



## CONNECTION

VM-6 is connected to a pipe according to the above standing figure. All pipe joints must be air-tight unless the measuring connection of 8/6 plastic tube is used.

For information regarding alternative ways of connecting, please contact Micatrone.

## TECHNICAL DATA

Material ,

Plates: Stainless steel SS-2333

Connection: Brass R 2" inner pipe thread.  
and 8/6mm plastic tube connection

Other parts: Brass and stainless steel

## ACCESSORIES

- Pressure transmitter, type MicaFlex PD, PFT
- Pressure controller, type MicaFlex PFC
- HT-plastic tube 8/6 mm